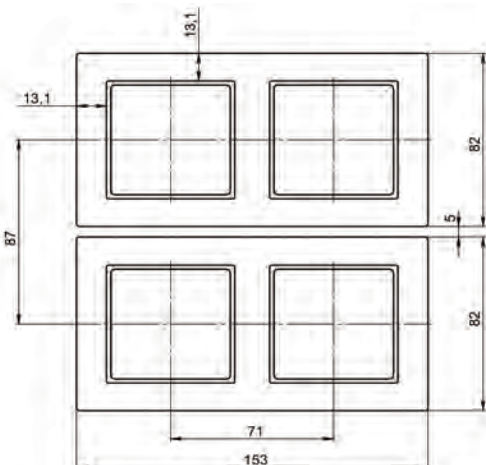
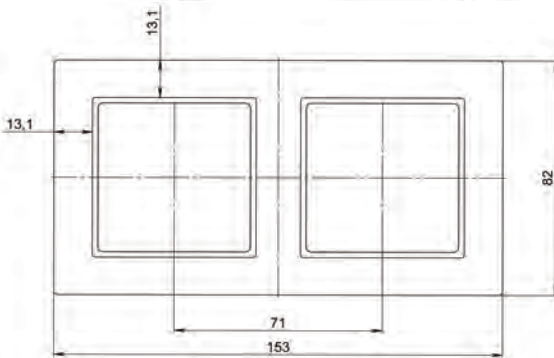
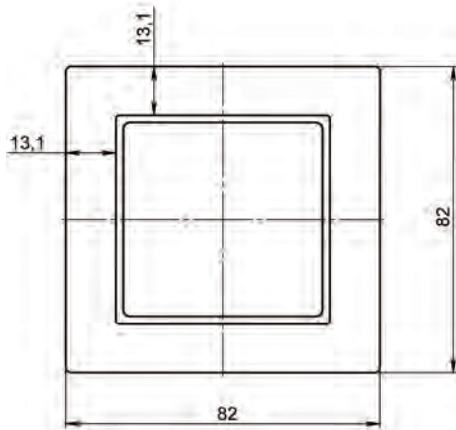


# Product data sheet

## 1-6 place frames, Epsilon "SLIM LINE"



### Reference number

K14-145-01, K14-145-02, K14-145-03,  
K14-145-04, K14-145-05, K14-145-06

### Plastic frames, Epsilon "Slim line", 1-6 places

#### Intended use

- for horizontal and vertical installation
- polycarbonate plastic, high gloss

K14-145-01, colour, EAN code:  
E/B - White, 4770025874394  
E/S - Sandy, 4770025874448  
E/R - Brown, 4770025874493  
E/Mt - Metallic, 4770025874547  
E/J - Black, 4770025874592  
E/Ch - Champagne, 4770025875353

K14-145-04, colour, EAN code:  
E/B - White, 4770025874424  
E/S - Sandy, 4770025874479  
E/R - Brown, 4770025874523  
E/Mt - Metallic, 4770025874578  
E/J - Black, 4770025874622  
E/Ch - Champagne, 4770025875414

K14-145-02, colour, EAN code:  
E/B - White, 4770025874400  
E/S - Sandy, 4770025874455  
E/R - Brown, 4770025874509  
E/Mt - Metallic, 4770025874554  
E/J - Black, 4770025874608  
E/Ch - Champagne, 4770025875377

K14-145-05, colour, EAN code:  
E/B - White, 4770025874431  
E/S - Sandy, 4770025874486  
E/R - Brown, 4770025874530  
E/Mt - Metallic, 4770025874585  
E/J - Black, 4770025874639  
E/Ch - Champagne, 4770025875438

K14-145-03, colour, EAN code:  
E/B - White, 4770025874417  
E/S - Sandy, 4770025874462  
E/R - Brown, 4770025874516  
E/Mt - Metallic, 4770025874561  
E/J - Black, 4770025874615  
E/Ch - Champagne, 4770025875391

K14-145-06, colour, EAN code:  
E/B - White, 4770025961377  
E/S - Sandy, 4770025961391  
E/R - Brown, 4770025961414  
E/Mt - Metallic, 4770025961438  
E/J - Black, 4770025961452  
E/Ch - Champagne, 4770025961476

### Technical specifications:

Ambient temperature:  
Storage/transport temperature  
Centre plates material:

-5 ... +35 °C  
-20 ... +40 °C  
breakproof polycarbonate (PC), high gloss

K14-145-01 dimensions 82x82mm  
K14-145-02 dimensions 82x153mm  
K14-145-03 dimensions 82x224mm  
K14-145-04 dimensions 82x296mm  
K14-145-05 dimensions 82x366mm  
K14-145-06 dimensions 82x442mm