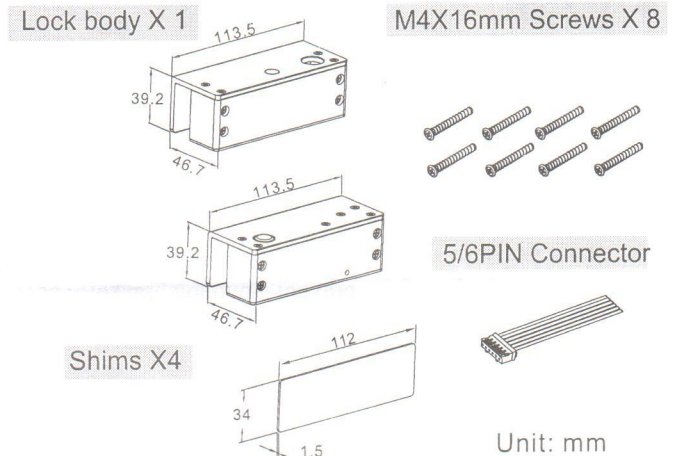


SL-167A(B) Glass Door Installation Manual

※ Features

- Integrated surface-mounted designed for easy installation.
- Use for 9~12mm thickness frameless glass door.
- Built-in microcontroller. Automatic current output control according to the door leaf position. The current is being lowered to 210mA after 6 seconds of door leaf positioning in order to cut down power consumption and lower the temperature of the lock body.
- Special wearable design. Mechanical life of more than 500,000 times.
- Adjustable wiring hole according to the environment.
- Adjustable lock time(0 sec. & 3 sec.).
- 1 set of push button control contact is available.
- Lock indicator is available for lock status.

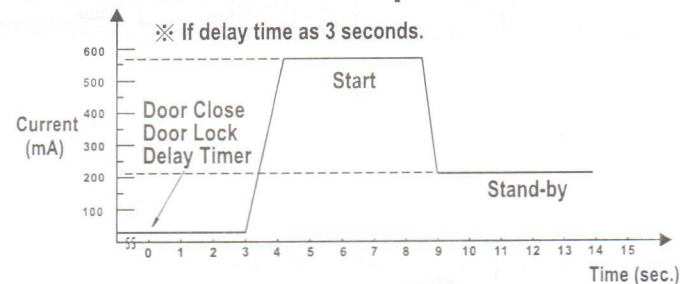
※ Accessories



※ Specifications

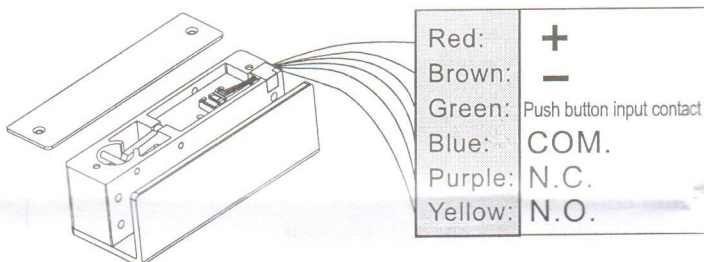
Power supply	DC 12V ± 10%
Operation current	Standby:210mA ± 10%; Operation:570mA ± 10%
Delay Time	0,3 sec.(Adjustable)
Lock status sensor	Door position reed contact (0.25A@30VDC)
Operation temperature	Maximum 45°C (Room temperature 30°C)
Operation environment	Temperature 0-70°C, Humidity 85%Rh max
Bolt	14mm (Throw) X 12.7mm (Diameter)
Mechanic life	More than 500,000 times
Safety Measures	(1)Fail-safe electric lock (2)Built-in door open push button input contact. Door will lock again automatically when door is not open within 6 seconds.

※ Current and Temperature Chart



※ Connections

※ Attention: There are only 2 screws on the back of the panel.



Current input

Push button contact as dry contact. NO voltage input to prevent damage to the unit.

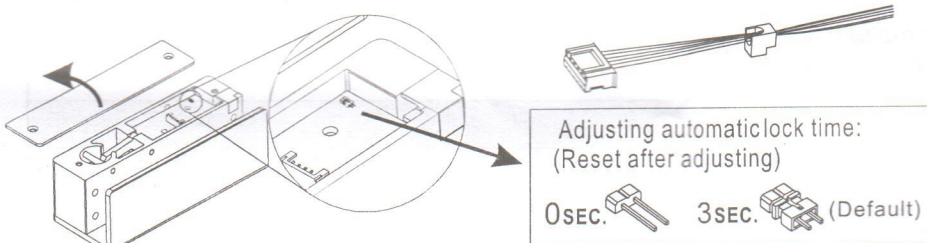
- » SL-167A has NC and COM contacts
- » Door position detection reed is only able to sustain load of 0.25A@30VDC. An external relay is suggested if higher current to control.

※ Adjusting before installation

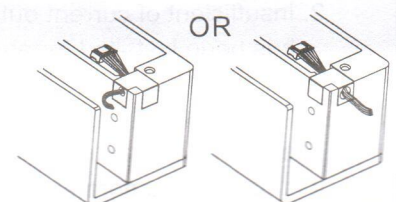
① Unscrew the top cover, adjust delay time.

② The wires go through the rubber hole

③ Wiring direction according to the environment.

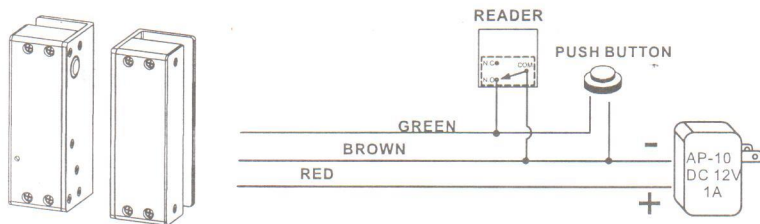


Adjusting automatic lock time:
(Reset after adjusting)
0SEC. 3SEC. (Default)

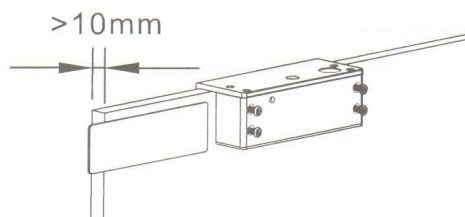


OR

※ Wiring Diagram



Warning!

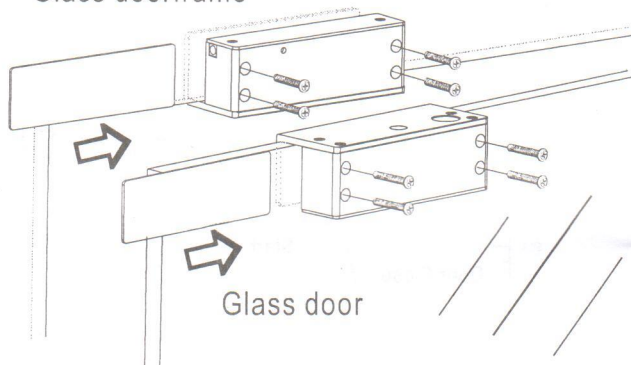


When the thickness of glass door is less than 10mm, use an attached shim to increase thickness.

※ Installation

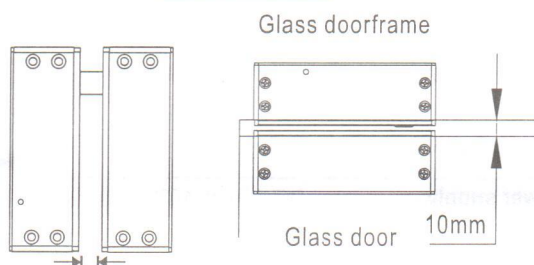
※Tighten the screw moderately in order to prevent mounting bracket to become deformed that stuck the bolt.

Glass doorframe



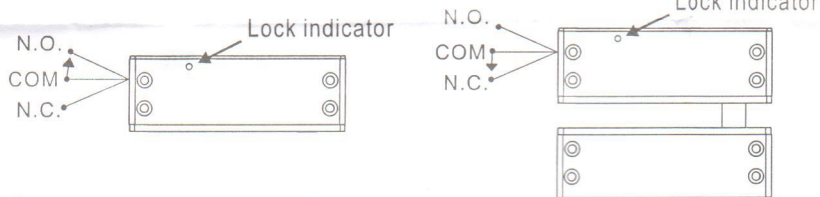
Glass door

Attention



Maximum distance as 6mm. It is unable to lock if the spacing is exceeding 6mm. The spacing gap is suitable for 10~14mm

※ Door position detection output

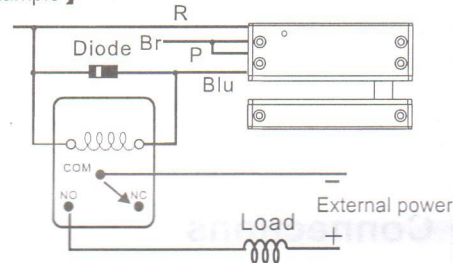


When door is not closed, bolt does not strike, detection output is COM and N.C. connected.
(Not available for SL-167A)

When door is closed, bolt strikes after delay time count, detection output is COM and N.O. connected and lock indicator (green) is on.

It is suggested to use an external relay (COM & NC) if it is exceeding the load of output contact.

【 Example 】



FAQ

◆ No operation after installation.

1. Please check power supply (DC-12V).
Please check the power supply.(600mA current is needed to activate).
2. Please check if there is short circuit of the push button contact.
3. Please make sure to place strike plate on the lock and aim the bolt hole with the bolt.
Please make sure the position of the magnet is right before testing the electric lock.

◆ Continuous locking (bolt strikes and retracts) when the door is closed.

1. The spacing gap is too wide (>6mm) between the unit and the magnetic panel which is unable to detect the correct position.
2. Insufficient of current output or malfunction of the power if this event occurred in a sudden when the lock has been installed for ages.

◆ The lock is hot.

The unlock operation temperature of the lock is normally within 45°C.
It is considered normal if the temperature is within 45°C.