



J-NET-INT-TCP/IP



Global Fire Equipment produces a range of interfaces that allow its range of panels, both conventional and analogue addressable panels to communicate with repeaters and sub-panels.

Four different interfacing technologies are available, namely:

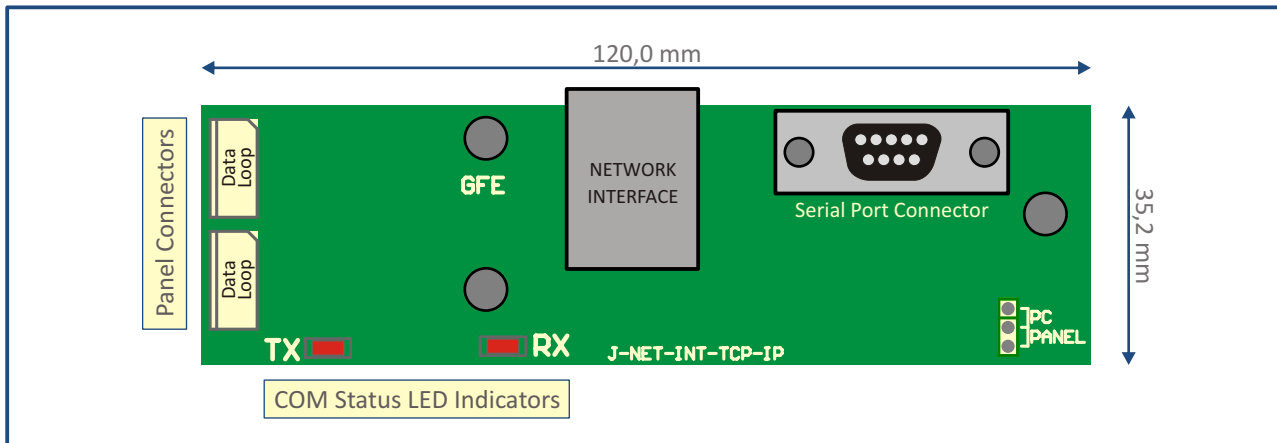
- RS-232 (Orion Conventional Panel only)
- RS-485
- Fibre Optics
- TCP/IP

The **J-NET-INT-TCP-IP** interface is used when connecting any of GFE's range of Fire Detection panels to Repeaters or Sub-Panel, using TCP/IP protocol within a Local Area Network (LAN). Please note that sub-panels can only be interfaced to Juno Net panels.

Both 10/100 Mbps speeds are supported by this device and communication rate is automatically set depending on the type of network to which the device is connected.

Interface is easily configured using LAN communications using Telnet. Alternatively interface can also be configured using terminal emulation software via the serial port provided in the form of a D-Type 9 pin miniature connector.

Two RED LEDs on the interface board will assist the user when monitoring the system communication status.



Order Code	J-NET-INT-TCP-IP
Supply Voltage	28V DC nominal
Supply Current	45 mA
Network Configuration	10/100Mbit Ethernet - auto-sensing Network - Telnet
Max. Humidity	95% RH Non-Condensing
Operating Temperature	0 °C to 50 °C
Dimensions	120.0 (L) x 35.2 (W) x 18.4 (H) mm
Weight	40 g

Global Fire Equipment Lda.

MARF - Armazens F3 e F4, Sítio do Guelhim, Estoi, 8009-021 FARO, PORTUGAL

Tel: + 351 289 896 560 Fax: + 351 289 865 587



Sales sales@globalfire.pt **Technical Support** techs@globalfire.pt